


PRODUCT SHEET

Description:

Shower Hinge "CPH III", 135DG, CPL, Glass/Glass, 6-10mm. Glass Thickness, W/Angle Adjustment Function, & 15DG Return Function, Brass Material, Chamfered Edges

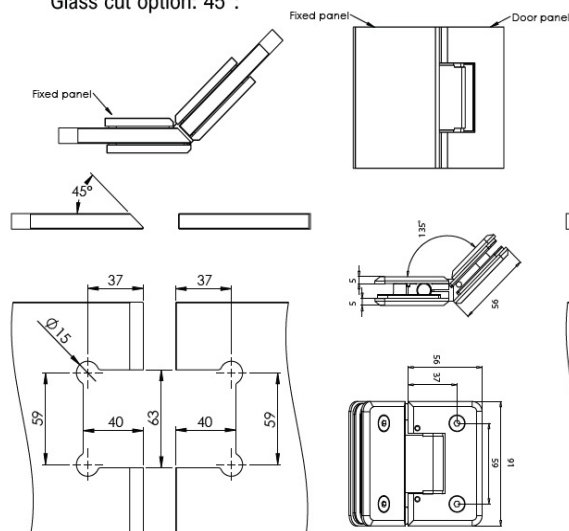
Item number:

15.24.061-0

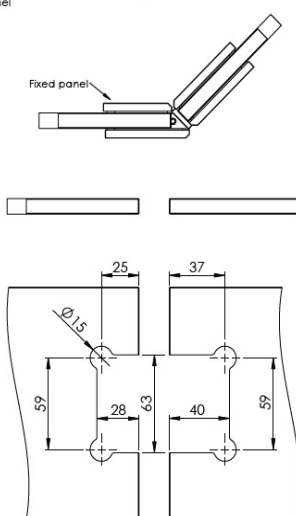
Units	Box	Carton	HS Code	Barcode
Pcs.	1	10	8302100090	
				5704866502313



Glass cut option: 45°:



Glass cut option: 90°:



SISO A/S

Mileparken 11
DK-2740 Skovlunde
Denmark
VAT: DK 24786013

Phone +45 45 830 900

www.siso.dk
siso@siso.dk

Danske Bank
Nytorv Branch
Copenhagen
SWIFT: DABADKKK

Account no.
4180 3112 112936
IBAN Account
DK7230003112112936